

Description

With this wheel-/axle load scale, you have a powerful weighing system for the individual wheel load, axle load and total weight of vehicles. Up to four wheel load scales can be connected to a hand terminal by cable. Depending on the system, various functions such as left-hand wheel load, right-hand wheel load, axle load and total load can be captured on the hand terminal. Naturally, each system can be tared.

These wheel-/axle load scales are easily transported in a car, and can be set to work on site by one person. The use of the latest technology means it is no longer necessary to centre the wheels accurately on the weighing platforms. The special mechanical construction allows the platforms to be used without approach ramps.

Optionally, measurement data can be displayed on a PC using wheel-load-scale software; the data can also be saved, incorporated in reports, and exported to Microsoft Excel. This makes a hand terminal unnecessary.

Features

- | very high accuracy
- | low self-weight
- | shallow construction
- | nominal loads 1000 / 2000 / 8000 kg (other nominal loads on request)
- | anti-slip rubber feet
- | maintenance-free
- | optional axle load summation for 2-platform systems

Applications

- | vehicle weighing
- | vehicle load distribution
- | chassis adjustment
- | support load determination on cranes

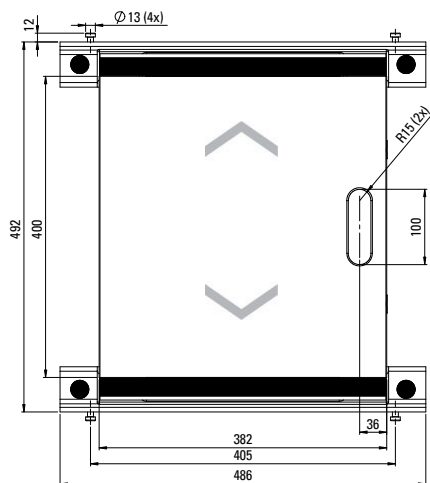
Technical data

Type	Nominal load	Sensitivity / display increments *	Accuracy *	Self-weight
RW 8.1 / 1000	1000 kg	1 kg	±1 kg	15.1 kg
RW 8.1 / 2000	2000 kg	1 kg	±1 kg up to 400 kg ±2 kg above 400 kg	15.1 kg
RW 8.1 / 8000	8000 kg	5 kg	±5 kg up to 500 kg ±10 kg up to 5000 kg ±15 kg above 5000 kg	17.6 kg

Number of weighing platforms 1 to 4
 Supply plug-in power supply 220V / 12VDC
 Alternative: mobile power supply or connection to vehicle's electrical system 12VDC

* other accuracies and sensitivities on request

Dimensions



Weighing area w 382 mm x l 400 mm
 Height 40 mm

measurements in mm

Options

Axle load weighing with 2x2 plates:

for variable track width
 and
 for wheel loads up to 16 t

Analog current output (without hand terminal) 4-20 mA interface
 supply 11.5-18VDC

RW-Software 2.0 (without hand terminal) For up to 20 weighing platforms
 Displays all weighing data
 Prepares a weighing report
 Export to Microsoft Excel
 OS: Windows 2000, XP, Vista, Win7

Hand terminals

HT3.2 for 2-platform systems
 display of the particular wheel loads and the axle load
 display of the total load by summation of the axle loads

HT4.2 for 2-platform systems
 integrated printer
 display of the particular wheel loads and the axle load
 printout of all axle loads
 printout of the total load by summation of the axle loads

HT3.4 for 2/4-platform systems
 display of the wheel, axle and total loads

HT4.4 for 2/4-platform systems
 integrated printer
 display and printout of the wheel, axle and total loads

Statement from the HKM reference list for wheel load scales

Customer	Industry / Application
approx. 50 Aero technical Service companies	Aircraft maintenance
Asia MotorWorks, India	Automobile manufacturer, R&D
Bajaj Auto Ltd., India	Automobile manufacturer
BMW, VW, Daimler / Mercedes, Smart, Porsche, Opel, Ford, Toyota, Bugatti, Nissan - all in Germany	Automobile manufacturer
Bosch Automotive Product, China	Vehicle testing
Chamber of agriculture of Tyrol, Burgenland, Niederösterreich	Use in agriculture
Continental, Germany	Tire manufacturing and testing
DEKRA, DEKRA Motor sports, Germany	Vehicle inspection and certification
e-materials (m) sdn. Bhd., Malaysia	Vehicle testing
FAW R&D Center, China	Automobile manufacturer, R&D
Formula 3, GT-Masters, Porsche cup, ADAC-Masters	Reference scales from DMSB, German engine sports alliance
German Armed forces, Manching, Germany	Aircraft inspection
German Motor Work, Thailand	Car checking
Goodyear, Germany / Luxemburg	Tire manufacturing and testing
Integrated Systems Technology, Taiwan	Testing of vehicles
Institute of Nuclear Sciences, Srbija	Use in sciences
I.S.R.O. Satellite Centre, Government of India	Manufacture of satellite
Karsan Otomotiv, Turkey	Testing of vehicles, -admittance
Magna Education, Graz / Austria	Automobile manufacturer
Maruti Suzuki India	Automobile manufacturer
Mahindra Navistar Automotives, India	Automobile manufacturer, R&D
MAN, Germany, Turkey	MAN production line, Vehicle tests
Metz, Germany	Manufacturing of fire fighting vehicles
Nissan Ashok Leyland, India	Automobile manufacturer
Proton, Malaysia	Automobile manufacturer
The Automotive Research Association of India	Testing of vehicles, -admittance
Triple Faith Engineering, China	Automobile manufacturer
Tüv Automotive Germany and Austria	Vehicle inspection and certification
Workshop Solutions, Australia	Motor racing, test beds
Zeer Guangzhou, Dealer China	Production and testing of vehicles / Tyres
Around the world including the following states: Australia, Austria, Belgium, Bosnia and Herzegovina, Bulgaria, China, Croatia, Estonia, France, India, Iran, Ireland, Italy, Luxembourg, Malaysia, Netherlands, Nigeria, Poland, Russia, Sweden, Switzerland, Serbia, Spain, Thailand, Taiwan, Turkey, Vietnam	