

Series 7000

Torque Sensor for PTO-shafts



Properties

- PTO (Power Take-Off) shaft with integrated torque and angle measurement
- Non-contact measurement system, high robustness
- Special for PTO shafts 1 3/4" und 1 3/8"
- "Plug & Play" solution, no additional electronics required

Performance

- Measurement range from 3000 Nm to 8000 Nm
- Accuracy class 0,5 %
- Temperature range -40 °C ... +105 °C
- IP65
- Turning speed up to 3600 rpm
- Output Signals 0-10 V / 4-20 mA / CAN Bus

1. Short description

The Series 7000 makes the torque- and angle-measurement in machines for agriculture and forestry industry easier and cheaper. The non-contact measurement principle shows very high robustness against mechanical and thermal influences and is maintenance-free. There are different adaptations available for the direct use of the sensors in various applications. It is therefore quite easy and quick to integrate them. The sensor is delivered as one complete unit with integrated electronics and cable.

The optional read-out unit provides both the torque- and angle-measurement on it's display as well as the data storage on an integrated SD-card automatically. The data can be read through an USB interface.

The complete sensor unit can be operated from 12 V to 24 V ("Cigarette lighter").

2. Model Series 7000

Model Series 7000			Nominal-Torque	Max. Overload	Rotational Speed
Shaft	Number of teeth on gear	Unit	Bi-directional (+/-)	Bi-directional (+/-)	[rpm]
1 3/8 Inch	6	[Nm]	3000	10000	3600
	21				
1 3/4 Inch	6	[Nm]	5000	10000	3600
	20				
Flange	-	[Nm]	5000	10000	3600

Subject to technical changes

Series 7000

Torque Sensor for PTO-shafts



3. Technical Characteristics

No.	Type	Unit	Series 7000	
	Accuracy class ¹		0.5	
		Unit	Value	
1	Linearity deviation incl. hysteresis	%ME*	< ±0.5	
2	Rotational Signal Uniformity	%ME*	< ±0.5	
3	Repeatability	%ME*	< ±0.2	
Output signal in general		Unit	Value	
4	Frequency range, -3dB point, Bessel characteristics	Hz	2500	
5	Analog signal	V	0 ... 10	4 ... 20
6	Signal at torque = Zero	V	≈ 5	≈ 12
7	Signal at positive nominal torque	V	> 5	>12
8	Signal at negative nominal torque	V	< 5	< 12
9	Calibration parameter (normed)	mV/Nm	4000 mV / Measurement range	8 mA / Measurement range
10	Output resistance	Ω	43	
11	Angle / Speed	ppr	optional angle sensor with 360 ppr speed sensor with 1 ppr oder 60ppr	
Temperature influence		Unit	Value	
12	Zero point drift over temperature	%/10 K	< 0.5	
13	Signal drift over temperature within operational temperature range ²	%/10 K	< 0.5	
Power supply		Unit	Value	
14	Supply voltage	VDC	11 ... 28	
15	Current consumption (max.)	mA	100	
16	Start-up peak	mA	< 150	
17	Absolute max. supply voltage	VDC	30	
General information		Unit	Value	
18	Degree of protection acc. to EN 60529	IP	65 in connected state	
19	Reference temperature	°C	+15 ... +35	
20	Operational temperature range	°C	-40 ... +105 / -20 ... +85 with angle sensor	
21	Storage temperature range	°C	-40 ... +105	
22	Cable	m	Incl. 5 m cable with plug	
23	EMC / EMI	-	EN 61000, EN 55011	
General Information		Unit	Value	
24	Maximum measureable torque	Nm	Related to measurement range 3000Nm about 3750Nm, related to 8000Nm about 10000Nm	
25	Maximum torque, related to nominal torque	Nm	10000Nm depends on shaft ends	
26	Ultimate torque	Nm	14000Nm depends on shaft ends	
27	Maximum axial force	N	20kN	

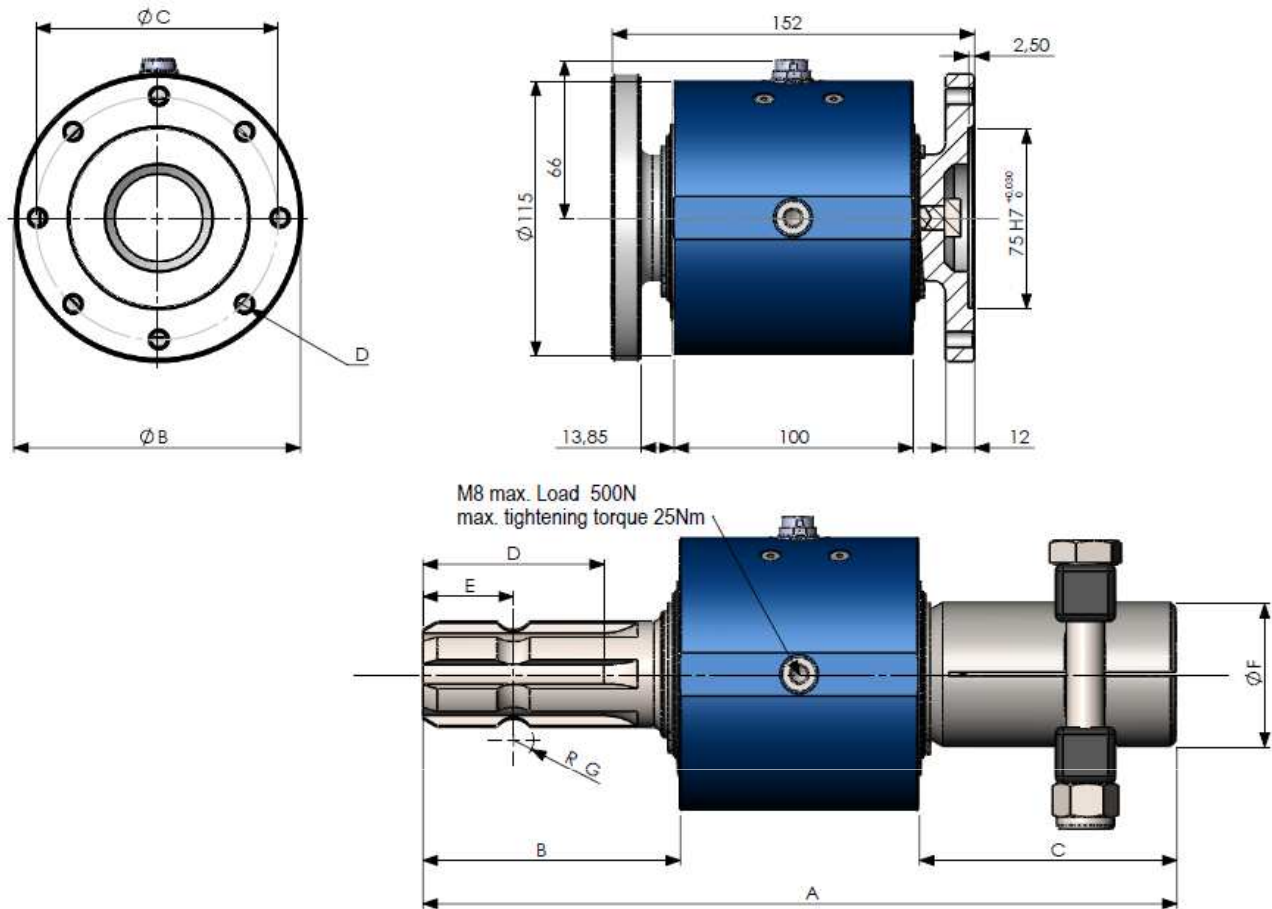
* %ME: : related to a full scale measurement range

1) The accuracy class implies that taken separately both the linearity deviation as well as the rotational signal uniformity are either lower than or equal to the value of the accuracy class. The accuracy class is not to be identified with the classification following DIN 51309 or EA-10/14.

2) The factor of transmission declines linearly up to a maximum of 0.5 % / 10 K with rising temperature due to the reduction of the elasticity.

Series 7000 Torque Sensor for PTO-shafts

4. Dimensions

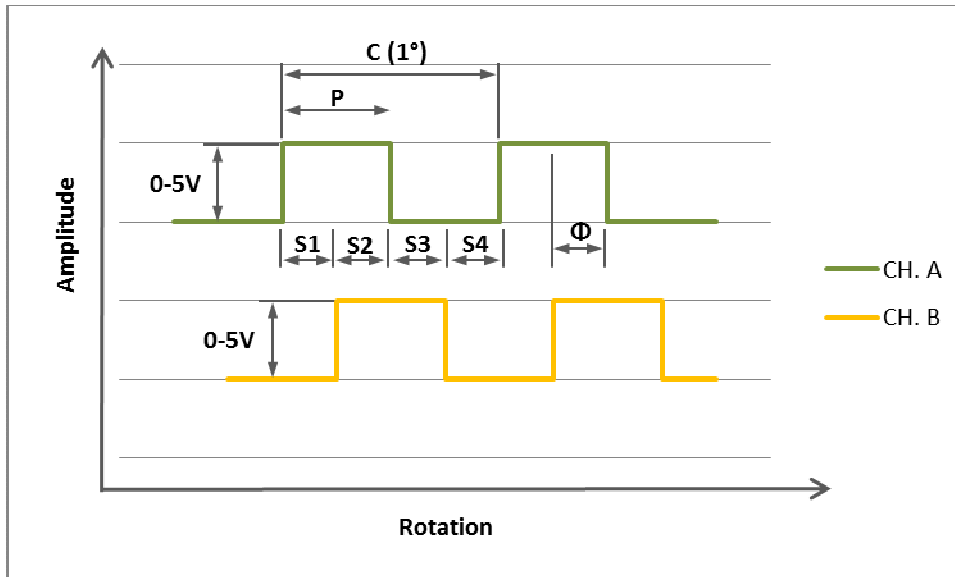


Dimensions							
Mounting parts	Dim. A [mm]	Dim. B [mm]	Dim. C [mm]	Dim. D [mm]	Dim. E [mm]	Dim. F [mm]	Dim. G [mm]
PTO 6 tooth (1 3/8")	306	98	108	76	38	50	6.8
PTO 6 tooth (1 3/4")	316	108	108	76	38	60	8.4
PTO 21 tooth (1 3/8")	316	98	118	65	25.5	50	6.8
PTO 20 tooth (1 3/4")	336	123	113	90	38	60	8.4
Dimensions Flange	Strength class for bolts						
Flange with bolt circle 101,5 mm with 8xM8	10.9	120	101.5	8x M8			
Flange with bolt circle 84 mm with 6xM8	10.9	120	84	8x M8			
Customized Flange	tbd.	tbd.	tbd.	tbd.			

Series 7000 Torque Sensor for PTO-shafts

5. Angle Sensor

Optical angle sensor with 360 CPR.

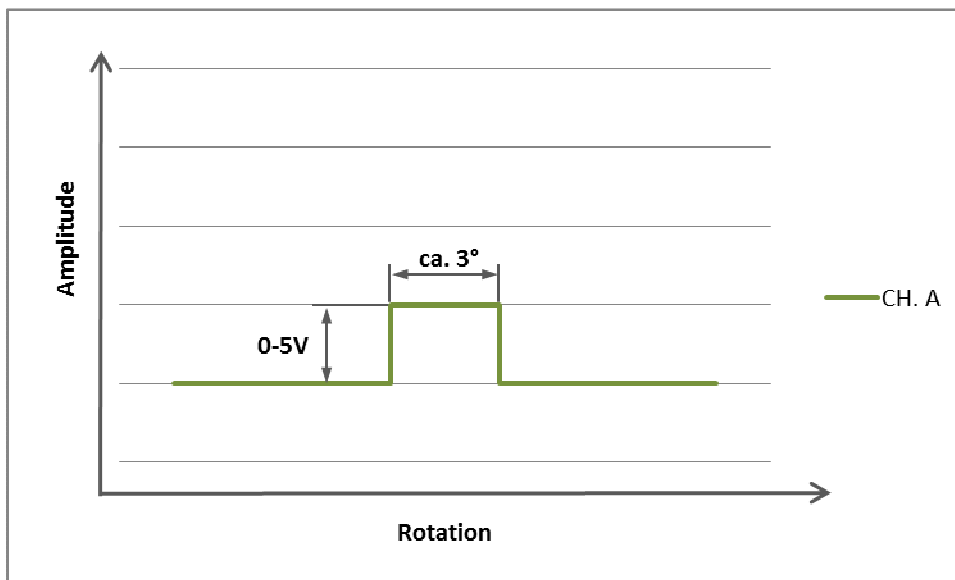


Parameter	Symbol	Min.	Typ.	Max.	Units
Pulse Width Error	ΔP		15	55	$^{\circ}e$
Pulse Width Error (Ch.A, Ch. B)	ΔP		15	55	$^{\circ}e$
Phase Error	$\Delta \phi$		12	60	$^{\circ}e$
LED Current	ICC		2,2	5,0	mA
High Level Output Voltage	VOH	2,4	5		V
Low Level Output Voltage	VOL			0,4	V
Rise Time	Tr		500		ns
Fall Time	tf		100		ns
Parameter	Description				
C	One cycle of 360 degrees				
P	The duration of high state of the output within one cycle. Nominally 180 $^{\circ}e$ or half a cycle.				
S	The number of electrical degrees between a transition in Channel A and the neighboring transition in Channel B. There are 4 states per cycle, each nominally 90 $^{\circ}e$.				
Φ	The number of electrical degrees between the center of high state of Channel A and the center of high state of Channel B. Nominally 90 $^{\circ}e$.				

Series 7000 Torque Sensor for PTO-shafts

6. Speed Sensor

Magnetic (Hall Effect) speed sensor with 1 CPR or 60 CPR.

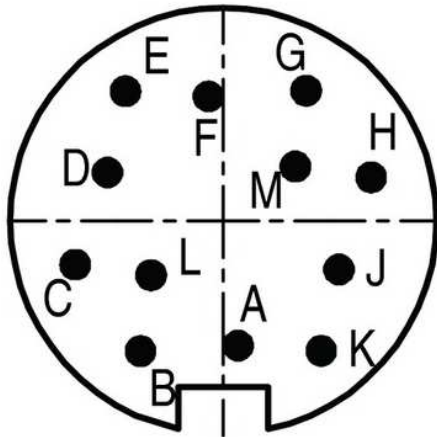


Parameter	Symbol	Min.	Typ.	Max.	Unit
Operating frequency	fop	0	-	8000	Hz
Analog band width	BW	20	40	-	kHz
High Level Output Voltage	VOH	2.4	5		V
Low Level Output Voltage	VOL		0	0.4	V

Series 7000 Torque Sensor for PTO-shafts

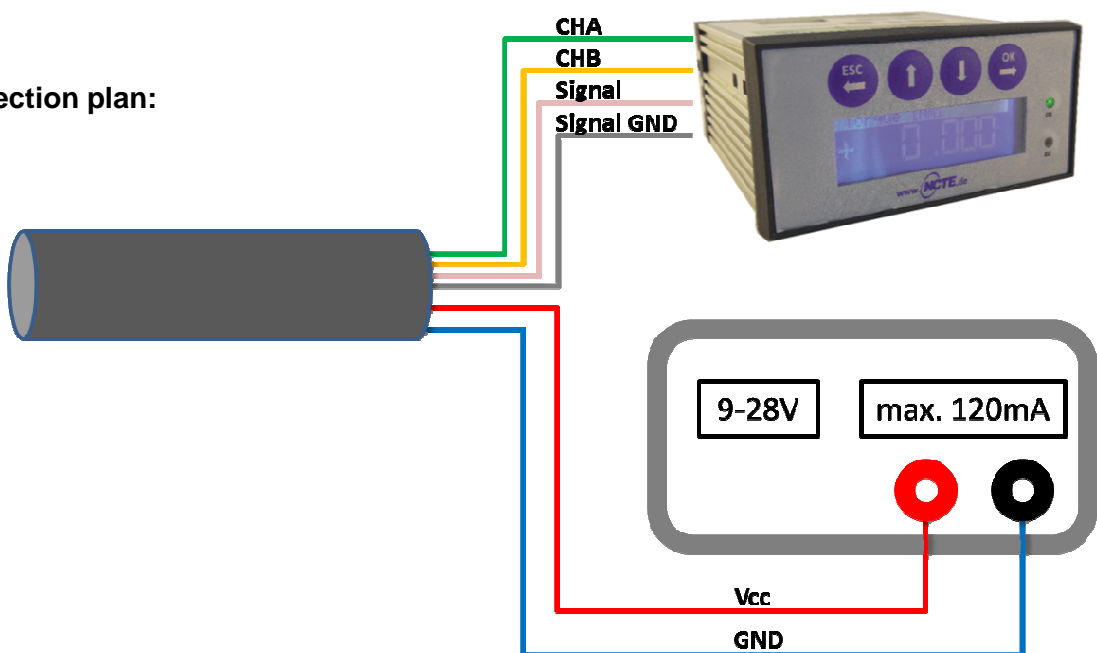
7. Connection Plan

Pin assignment at Sensor
Presentation: Top view



Model Binder Series M16 Connector IP67 Item number: 09-0131-90-12 Color code according to DIN 47100			
Pin	Color	Description	Value
A	White	CAN-H	
B	Brown	CAN-L	
C	Green	Angle Channel A	0 ... 5 V
D	Yellow	Angle Channel B	0 ... 5 V
E	Grey	Analog GND	
F	Pink	Analog voltage Analog current	0 ... 10 V 4 ... 20 mA
G	Blue	Ground GND	
H	Red	Supply voltage V_{CC}	11 ... 28 V
I	Black	-	
K	Violet	-	
L	Grey-Pink	-	
M	Red-Blue	-	

Connection plan:



Series 7000

Torque Sensor for PTO-shafts



8. Instruction manual

Field of Application

The torque sensor is intended for the use in agriculture, forestry industry and test benches.

Scope of Delivery

The torque sensor set consists of the sensor itself (signal pick-up and signal processing integrated into sensor housing), one connecting cable with a soldered plug.

Installation and Removal

Make sure to install the sensor shafts exactly with the proper aligned connecting shafts. The sensor is not designed as a pillow block. No external axial or radial force should be applied to the housing of the sensor. In case that the bending or radial forces could not be avoided the ball bearing of the sensor must be double-checked. The Sensor is not designed for trailing loads, please load only compressive forces on the shaft ends. A maximum cable length of 5 m must not be exceeded. Using a cable or connector other than supplied by NCTE, or a similar cable that is of a different length may affect the overall performance of the sensor. Do not remove the shaft with torque applied to the sensor.

Offset Adjustment

If required the zero point output signal (5 V / 12 mA) can be adjusted. By factory default the sensor is set to 5 V or 12 mA at zero torque.

Interface Description

Mechanical connection:

For torque transmission use the right mounting parts from a qualified supplier, also do not hesitate to ask NCTE.

Electrical connector:

On the sensor housing there is a 12-pin socket for the power supply and the signal output.(see Chapter 6. Connection Plan).

Operation (in regular case or in optimal case)

Optimal measurement parameters may be achieved when the sensor is applied in accordance to the specification. Use the sensor only for short periods of time at the maximum rotational speed. By compliance with the specification the sensor works generally trouble-free and maintenance-free.

Irregular Operation, Measures against Disturbance

The presence of external electromagnetic or magnetic fields can lead to irregular measurement results. The mechanical overload on the sensor (e.g. exceeding of maximum allowed torque or severe vibrations) may cause damage to the sensor and in consequence the incorrect signal output. In such cases the sensor must be reset. If this does not help, do not open the sensor but contact NCTE directly for assistance.

Series 7000

Torque Sensor for PTO-shafts

Commissioning

After sensor installation pay attention to the followings:

- Switch on the power supply unit and check the supply voltage. Peak voltage to the sensor must be avoided! Be sure to verify the power supply voltage before connecting the sensor!
- Connect the sensor to the power supply unit by using the delivered cable.
- Connect the sensor output to a high-resistance device such as an A/D converter, oscilloscope, PC measurement board. The sensor should be in mechanical unloaded state while connecting it.

Service / Maintenance

Service-contact:

Tel.: +49 89 665619 0

Fax: +49 89 665619 29

Maintenance:

The sensor is free of maintenance, NCTE advises a yearly recalibration. The ball bearing is designed for a lifetime of 5000 h.

Disposal

For purposes of disposal please send the device back to NCTE.

Handling and Transport

While handling, storing and transporting keep sensor away from magnetic and electromagnetic fields which may exceed the allowed maximum range of EMC listed in Chapter 3. Technical Characteristics of the Sensor.

Precautions

- Do not open the sensor under any circumstances.
- Do not remove or loosen the locking rings on the shaft ends.
- The mounting nut of the socket as well as the fixing screws should not be loosened or tightened.
- Use only a separate power supply for the sensor
- Use the sensor only according to the specification (Chapter 3. Technical Characteristics of the Sensor).
- Keep the sensor away from magnetic and electromagnetic fields which may exceed the allowed maximum range of EMC (Chapter 3. Technical Characteristics of the Sensor)
- The sensor is not designed as a pillow block. The existing fixing possibilities serve exclusively for preventing the sensor from rotation.



Caution Type IP 65 in long-term usage the surface of the sensor can reach 90 degree Celsius, please be careful and use protection!

Series 7000 Torque Sensor for PTO-shafts

9. Order options

Series 7000 Accuracy 0,5 %		Price
Measurement range		
3000	Nm (1 3/8") incl. 5 m cable	
5000	Nm (1 3/4") incl. 5 m cable	
XXXX	Selectable between 3000 Nm and 8000 Nm, from 5000 Nm only with customized flanges.	
Option 1: shaft end "left"		
0	PTO shaft 6 teeth (1 3/8"), ≤ 3000 Nm	
1	PTO shaft 20 teeth (1 3/4")	
2	PTO shaft 21 teeth (1 3/8"), ≤ 3000 Nm	
3	PTO bush 6 teeth (1 3/4")	
4	PTO bush 20 teeth (1 3/4")	
5	PTO bush 21 teeth (1 3/8"), ≤ 3000 Nm	
6	Flange with bolt circle 101,5 mm with 8xM8	
7	Flange with bolt circle 84 mm with 6xM8, ≤ 3000 Nm	
8	PTO shaft 6 teeth (1 3/4")	
9	PTO bush 6 teeth (1 3/8"), ≤ 3000Nm	
XX	Customized flange	
Option 2: shaft end "right"		
0	PTO shaft 6 teeth (1 3/8"), ≤ 3000 Nm	
1	PTO shaft 20 teeth (1 3/4")	
2	PTO shaft 21 teeth (1 3/8"), ≤ 3000 Nm	
3	PTO bush 6 teeth (1 3/4")	
4	PTO bush 20 teeth (1 3/4")	
5	PTO bush 21 teeth (1 3/8"), ≤ 3000 Nm	
6	Flange with bolt circle 101,5 mm with 8xM8	
7	Flange with bolt circle 84 mm with 6xM8, ≤ 3000 Nm	
8	PTO shaft 6 teeth (1 3/4")	
9	PTO bush 6 teeth (1 3/8"), ≤ 3000Nm	
XX	Customized flange	
Option 3: Angle sensor		
0	without angle sensor	
1	Angle sensor 360 PPR nur IP50	
2	Speed sensor 1 CPR	
3	Speed sensor 60 CPR	
Option 4: Output signal		
A	Analog voltage 0-10 V	
S	current output 4-20 mA	
C	CAN Bus (only Speedsensor)	
Option 5: IP Protection		
0	IP 50	
1	IP65 only Speedsensor	
7000		

Read Out Unit for all NCTE Sensors



Ord.-No. 400010-ATS001

- Compact readout box with display
- 1 torque sensor input, 0-5V and 0-10V
- 1 angle encoder input, A/B
- 2x digital output
- USB interface, Windows software included
- SD card slot

Series 7000 Torque Sensor for PTO-shafts



10. Contact

NCTE AG
Inselkammerstr. 4
82008 Unterhaching
Germany
Tel.:+ 49 89 665619-0
Fax:+ 49 89 665619-29
Email: sales@ncte.de