



Description

With these portable and verifiable scales, you can measure the wheel and axle loads of a wide range of vehicles quickly and precisely. Our RWA 8.1.0 E wheel load scales are available for various nominal loads from 500 kg to 8t. They are accepted in accuracy class III in accordance with EN 45 501 and are approved for weighing operations in commercial and official use.

You can read the measured loads directly from a large LCD display on the scales. For ease-of-use and to ensure the accuracy of the test results, status information is displayed on five individual LEDs. Operation of the wheel load scales is via three push-buttons. Optionally, in applications where verification is not required, two scales can be connected using an additional cable so that the total load on an axle can be easily measured.

The scales are powered by rechargeable batteries, so that the transportable wheel load scales are suitable for mobile use, independently of a mains power supply. The scales can be used on any suitably firm and level subsurface.

Fields of application for the wheel load scales are road traffic vehicle inspections and vehicle design and production. They are suitable for use in agriculture and forestry, on construction sites and in waste disposal.

Features

- | Verifiable
- | Low self-weight
- | Shallow construction
- | Nominal loads 500/1000/2000/8000 kg
- | Functions:
Zero-setting, tare,
read out of gross and net value
- | Anti-slip rubber feet
- | Maintenance-free
- | Operates on standard rechargeable batteries
- | Can be combined for axle load weighing where verification is not required (optional)

Applications

- | Weighing operations and load checks
- | Determination of the load distribution
- | Setting up suspension/running gear
- | Vehicle approvals for new and modified models

Technical data

| Type | Minimum load | Maximum load = Nominal load | Increment / Division e * | Accuracy according to EN 45501 | Self-weight |
|-----------------|--------------|-----------------------------|--------------------------|---|-------------|
| RWA 8.1.0E/500 | 5 kg | 500 kg | 0.5 kg | ±0.25 kg up to 25 kg ±0.5 kg up to 100 kg ±0.75 kg above 100 kg | 17.5 kg |
| RWA 8.1.0E/1000 | 10 kg | 1000 kg | 1 kg | ±0.5 kg up to 50 kg ±1 kg up to 200 kg ±1.5 kg above 200 kg | 17.5 kg |
| RWA 8.1.0E/2000 | 20 kg | 2000 kg | 2 kg | ±1 kg up to 100 kg ±2 kg up to 400 kg ±3 kg above 400 kg | 17.5 kg |
| RWA 8.1.0E/8000 | 100 kg | 8000 kg | 10 kg | ± 5 kg up to 500 kg ±10 kg up to 2000 kg ±15 kg above 2000 kg | 20 kg |

Verification capability
Supply

DIN EN 45501, accuracy class III
4 x NiCd or NiMh rechargeable batteries 1.2V/max. 2000 mAh,
charging via mains adapter 12V/1A

Operating temperature range

-10 °C to +40 °C

Storage temperature range

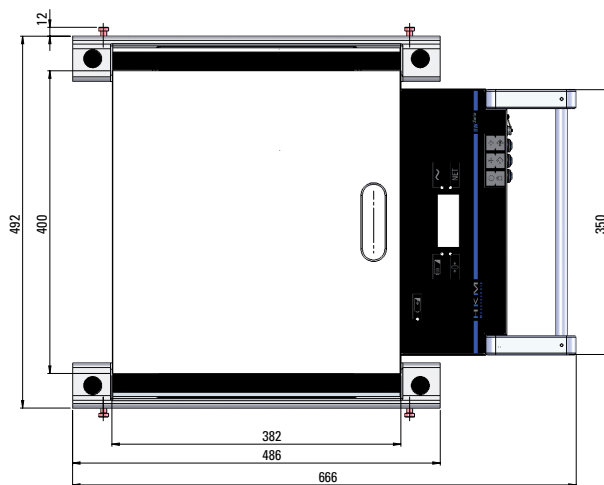
-30 °C to +70 °C

Protection class

IP 65

* higher increment / resolution is possible on request for use where official verification is not compulsory

Dimensions



Weighing area 382 mm x 400 mm
Weighing platform height 40 mm

Dimensions in mm

Display module features

- 8-digit LCD display
- Load display in kg or lbs
- 3 push-buttons for operation
- Menu-guided settings and inquiries
- Status LEDs for
 - low battery display
 - zero display
 - stability display
 - net display
 - battery charging display

Options

- Drive-on and drive-off ramps (460 mm x 180 mm)
- Dummy plates
- Cable to connect two scales for axle load measurement
- higher increment/resolution is possible for use where official verification is not compulsory

Statement from the HKM reference list for wheel load scales

| Customer | Industry / Application |
|---|---|
| approx. 50 Aero technical Service companies | Aircraft maintenance |
| Asia MotorWorks, India | Automobile manufacturer, R&D |
| Bajaj Auto Ltd., India | Automobile manufacturer |
| BMW, VW, Daimler / Mercedes, Smart, Porsche, Opel, Ford, Toyota, Bugatti, Nissan - all in Germany | Automobile manufacturer |
| Bosch Automotive Product, China | Vehicle testing |
| Chamber of agriculture of Tyrol, Burgenland, Niederösterreich | Use in agriculture |
| Continental, Germany | Tire manufacturing and testing |
| DEKRA, DEKRA Motor sports, Germany | Vehicle inspection and certification |
| e-materials (m) sdn. Bhd., Malaysia | Vehicle testing |
| FAW R&D Center, China | Automobile manufacturer, R&D |
| Formula 3, GT-Masters, Porsche cup, ADAC-Masters | Reference scales from DMSB, German engine sports alliance |
| German Armed forces, Manching, Germany | Aircraft inspection |
| German Motor Work, Thailand | Car checking |
| Goodyear, Germany / Luxemburg | Tire manufacturing and testing |
| Integrated Systems Technology, Taiwan | Testing of vehicles |
| Institute of Nuclear Sciences, Srbija | Use in sciences |
| I.S.R.O. Satellite Centre, Government of India | Manufacture of satellite |
| Karsan Otomotiv, Turkey | Testing of vehicles, -admittance |
| Magna Education, Graz / Austria | Automobile manufacturer |
| Maruti Suzuki India | Automobile manufacturer |
| Mahindra Navistar Automotives, India | Automobile manufacturer, R&D |
| MAN, Germany, Turkey | MAN production line, Vehicle tests |
| Metz, Germany | Manufacturing of fire fighting vehicles |
| Nissan Ashok Leyland, India | Automobile manufacturer |
| Proton, Malaysia | Automobile manufacturer |
| The Automotive Research Association of India | Testing of vehicles, -admittance |
| Triple Faith Engineering, China | Automobile manufacturer |
| Tüv Automotive Germany and Austria | Vehicle inspection and certification |
| Workshop Solutions, Australia | Motor racing, test beds |
| Zeer Guangzhou, Dealer China | Production and testing of vehicles / Tyres |
| Around the world including the following states: Australia, Austria, Belgium, Bosnia and Herzegovina, Bulgaria, China, Croatia, Estonia, France, India, Iran, Ireland, Italy, Luxembourg, Malaysia, Netherlands, Nigeria, Poland, Russia, Sweden, Switzerland, Serbia, Spain, Thailand, Taiwan, Turkey, Vietnam | |